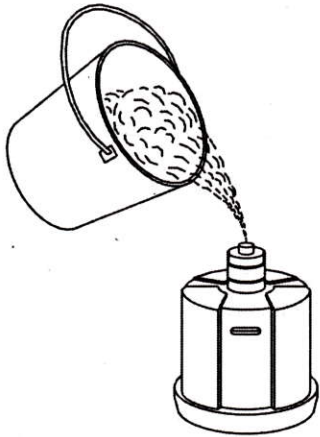


ASSEMBLY INSTRUCTION

STEP-1

FILL THE BASE WITH WATER OR SAND.



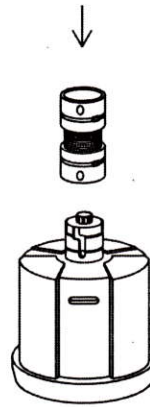
STEP-2

LID THE BASE.



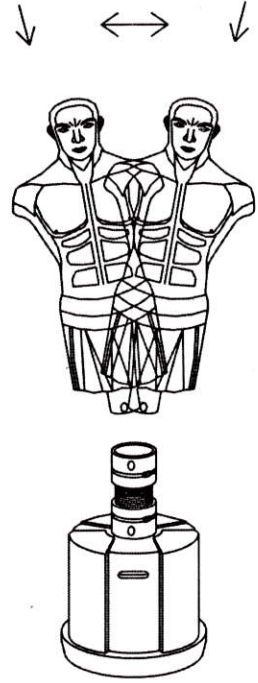
STEP-3

MATCH TWO HOLES BETWEEN THE MIDDLE RUBBER AND BASE.



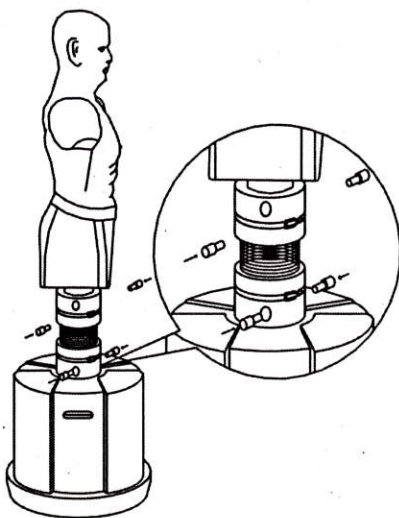
STEP-4

SHAKE AND SLIP ON THE BODY TO THE MIDDLE RUBBER



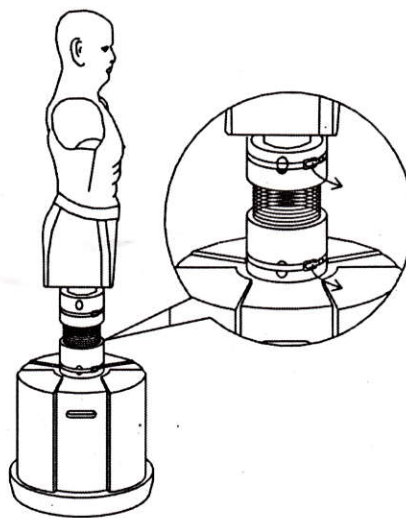
STEP-5

PUT FOUR RUBBER PLUGS INTO BOTH SIDES.



STEP-6

COVER FOUR HOLES WITH THE STEEL STRIPE THEN BUTTONED UP.



STEP-7

FINISHED.

